

DESCRIPTION

Energy saving LED recessed housings for new and remodel applications, both insulated and non-insulated ceilings.

SPECIFICATIONS

Housing Construction:

- Galvanized steel construction
- Selective models for use with insulated and non-insulated ceilings
- Housing on IC (insulated ceiling) model can be removed from frame to provide access to junction box

Installation:

- Integral T-bar installation slots on bar hangers on new construction models
- Bar hangers on new construction models are adjustable from 13 $\frac{3}{8}$ " to 25" and can be repositioned 90° on plaster frame
- Pre-installed nails in bar hangers on new construction models easily install in regular and engineered lumber joists

Testing & Compliance:

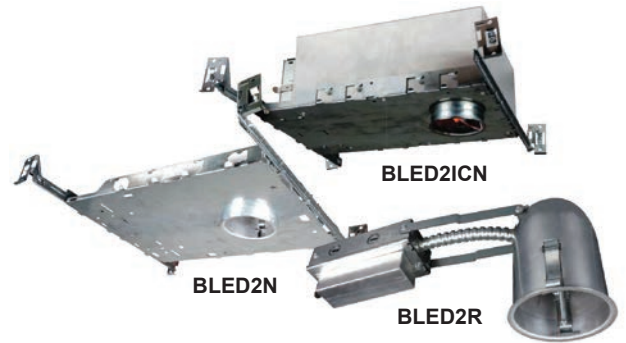
- cULus Listed for Damp and Wet Locations (not suitable for coastal/salt water area)
- Certified under ASTM-E283 for airtight construction (new construction models only)

Warranty:

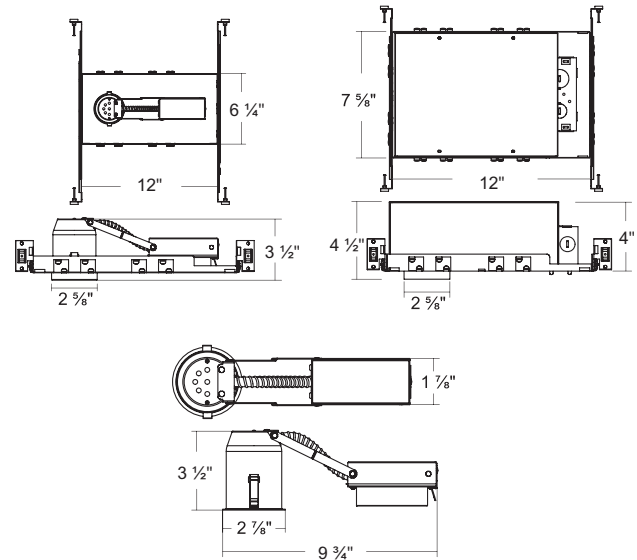
- 5 year warranty (terms and conditions apply)

Note: Environment and application will affect actual performance. Typical values and 25°C used for testing. Specifications subject to change without notice.

Model: _____ Date: _____
Accessories: _____
Job Name: _____ Type: _____



Dimensions



Ordering Information

SKUs	Description
BLED2N-AT-QN	2" Non-IC LED recessed housing for new construction
BLED21CN-AT-QN	2" IC Airtight LED recessed housing for new construction
BLED2R-Q	2" Non-IC LED recessed housing for remodel